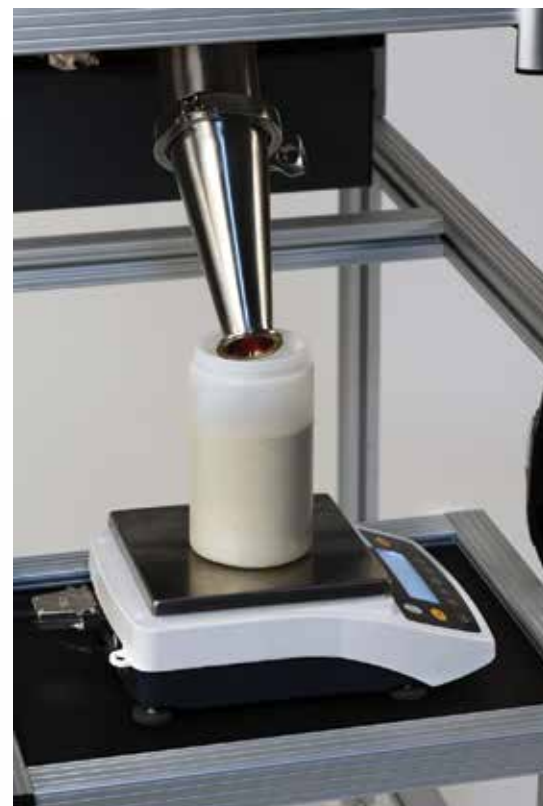


# Ball Coleman Seed Counter Gen3 S



The seed counter with speed,  
precision and ease of use.  
Seed counting and weight  
measurement made more  
productive.



seed technology that counts

# Ball Coleman Seed Counter Specifications

## GEN3 S Seed Counter Floor Model (30 inch h floor frame)

### **A** Feeder Assembly (SC-FA3)

Height: 11.5 in./29.2 cm

FMC Vibratory Feeder with controller: 110 or 230 volt

Custom Trough width: 3.5 in./8.9 cm

Hopper capacity: 12 liters

- Electronics enclosure
- Vibration isolation

### **B** Seed Counting Detection Head (SC-3000)

- Steel enclosure with input extension tube and internal hardware
- Camera, lens, mirrors, specialty optics, cable GigE card
- LED lights
- Power supply
- Digital I/O communication
- Foot switch
- Computer with 22-in./55.9-cm hi-def touchscreen monitor
- Network ready (1Gb Ethernet)
- Custom software and VDM runtime license
- Stainless steel chute attached to Detection Head seed exit

### **C** Top Mounting Frame (SC-TF3)

Height: 20 in./50.8 cm

Extruded aluminum frame: 1.5 in./3.8 cm thick

Monitor arm attaches to frame and allows 180° side movement

### **D** Output

Attaches to Detection Head seed exit.

Assembly height: 11 in./27.9 cm

Adjustable length filling tubes attached to parts A and B:

1.125 in./2.858 cm OD

OC includes all drive electronics and drive motor

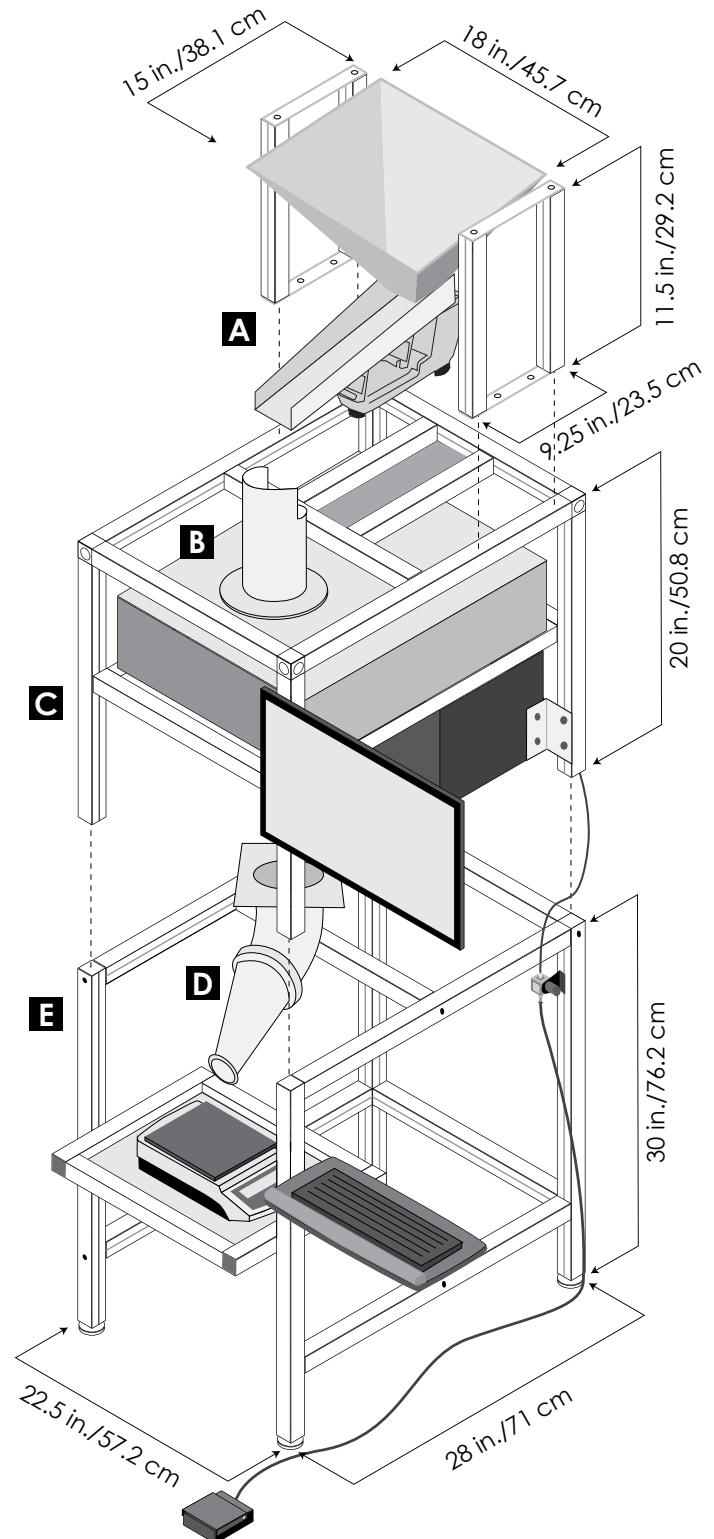
### **E** Floor Mount Frame (SC-BF3)

Adjustable feet.

Height: 30 in./76.2 cm

Extruded aluminum frame: 1.5 in./3.8 cm thick

Adjustable front-mounted shelf: 14.25 in./36.2 cm deep



seed technology that counts

ballcoleman.com

© 2016 Ball Horticultural Company 16623-S  
® denotes a registered trademark of Ball Horticultural Company in the U.S.  
It may also be registered in other countries. Visit ballcoleman.com for current  
Terms & Conditions of Sale.

# Ball Coleman Seed Counter Gen3 P



The seed counter with speed,  
precision and ease of use.  
Seed packaging made more  
productive.

seed technology that counts

# Ball Coleman Seed Counter Specifications

## GEN3 P Seed Counter Floor Model (39 inch h floor frame)

### **A** Feeder Assembly (SC-FA3)

**Height:** 11.5 in./29.2 cm

**FMC Vibratory Feeder with controller:** 110 or 230 volt

**Custom Trough width:** 3.5 in./8.9 cm

**Hopper capacity:** 12 liters

- Electronics enclosure
- Vibration isolation

### **B** Seed Counting Detection Head (SC-3000)

- Steel enclosure with input extension tube and internal hardware
- Camera, lens, mirrors, specialty optics, cable GigE card
- LED lights
- Power supply
- Digital I/O communication
- Foot switch
- Computer with 22-in./55.9-cm hi-def touchscreen monitor
- Network ready (1Gb Ethernet)
- Custom software and VDM runtime license
- Stainless steel chute attached to Detection Head seed exit

### **C** Top Mounting Frame (SC-TF3)

**Height:** 20 in./50.8 cm

**Extruded aluminum frame:** 1.5 in./3.8 cm thick

Monitor arm attaches to frame and allows 180° side movement

### **D** Pneumatic Output Diverter (SC-ODA3)

Provides a high-speed A/B switch on the output seed stream for increased packing accuracy and speeds. Attaches to Detection Head seed exit.

**Assembly height:** 11 in./27.9 cm

**Adjustable length filling tubes attached to parts A and B:**

1.125 in./2.858 cm OD

OC includes all drive electronics and drive motor

### **E** Floor Mount Frame (SC-BF3)

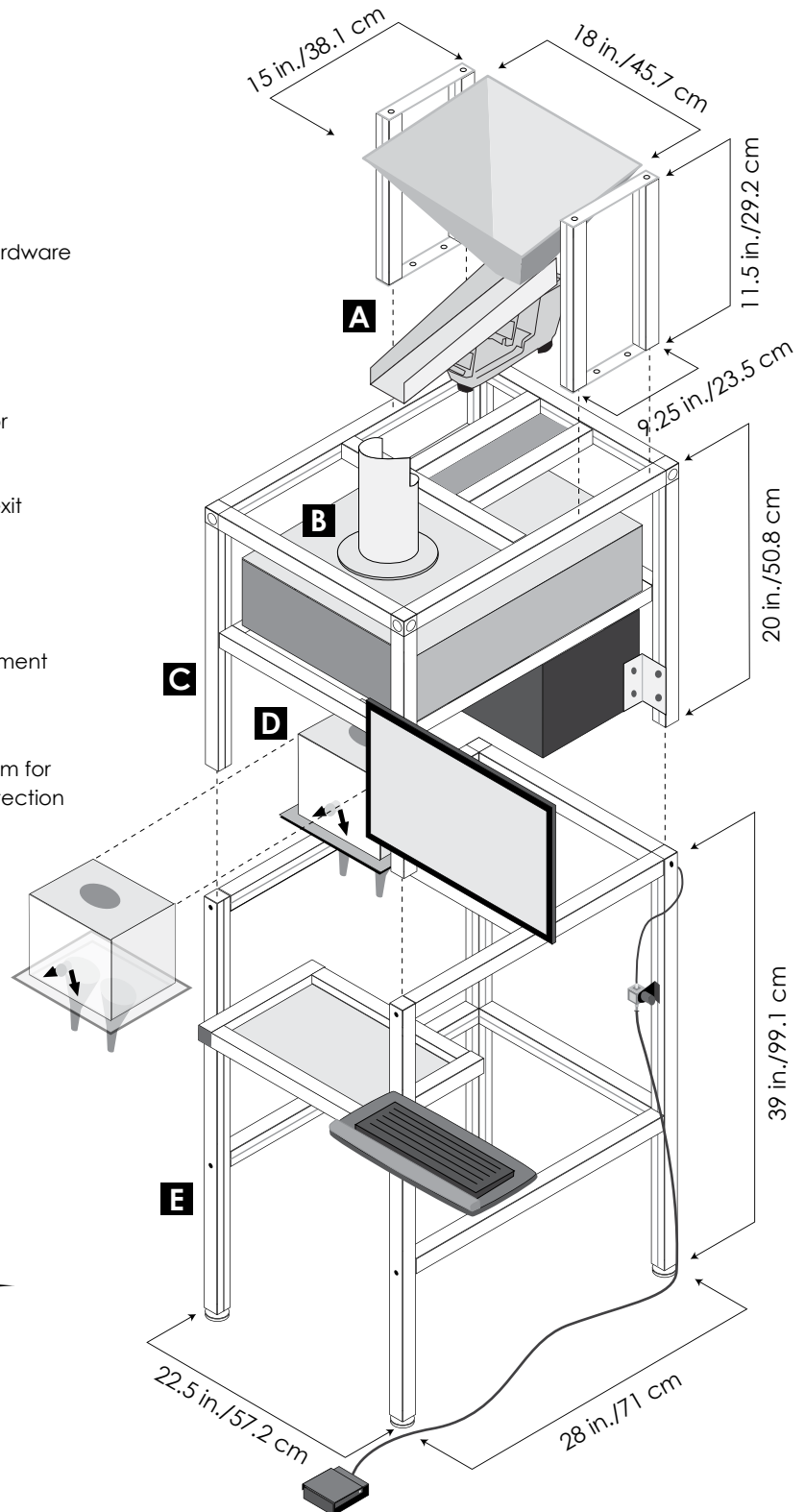
Allows operation of the system with Output Diverter.

Adjustable feet.

**Height:** 39 in./99.1 cm

**Extruded aluminum frame:** 1.5 in./3.8 cm thick

**Adjustable front-mounted shelf:** 14.25 in./36.2 cm deep



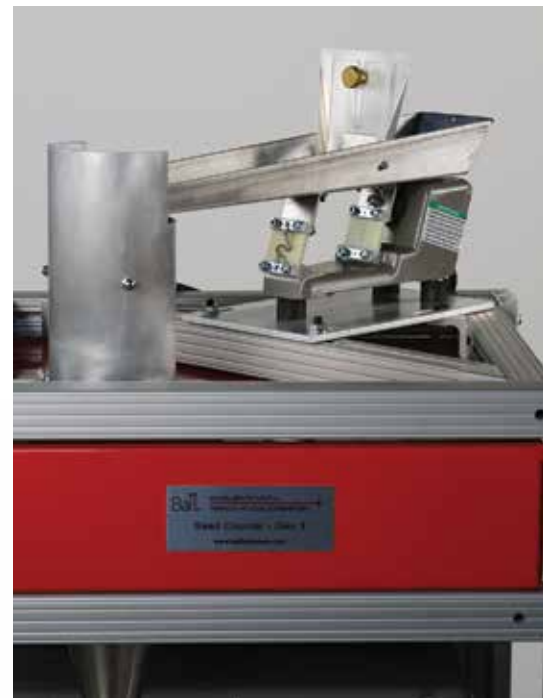
seed technology that counts

ballcoleman.com

© 2016 Ball Horticultural Company 16623-P  
® denotes a registered trademark of Ball Horticultural Company in the U.S.  
It may also be registered in other countries. Visit ballcoleman.com for current  
Terms & Conditions of Sale.



# Ball Coleman Seed Counter Gen3 M



The seed counter with speed,  
precision and ease of use.

Better suited for laboratories  
and smaller workstations.



seed technology that counts

# Ball Coleman Seed Counter Specifications

## GEN3 M Seed Counter Tabletop Model

### **A** Feeder Assembly (SC-FA3)

Height: 6 in./15.2 cm

FMC Vibratory Feeder with controller: 110 or 230 volt

Custom Trough width: 3.5 in./8.9 cm

- Electronics enclosure
- Vibration isolation

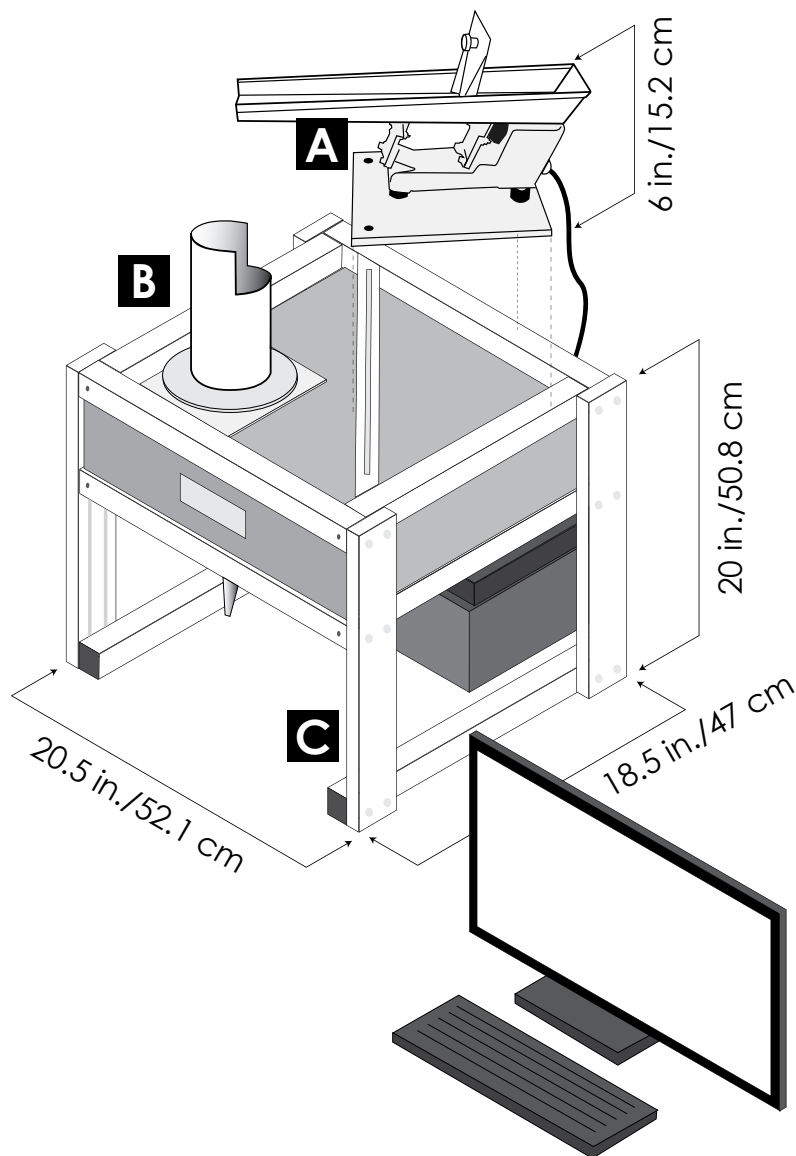
### **B** Seed Counting Detection Head (SC-4000)

- Steel enclosure with input extension tube and internal hardware
- Camera, lens, mirrors, specialty optics, cable GigE card
- LED lights
- Power supply
- Digital I/O communication
- Foot switch
- Computer with 22-in./55.9-cm hi-def touchscreen monitor
- Network ready (1Gb Ethernet)
- Custom software and VDM runtime license
- Stainless steel chute attached to Detection Head seed exit

### **C** Top Mounting Frame (SC-TF3)

Height: 20 in./50.8 cm

Extruded aluminum frame: 1.5 in./3.8 cm thick



seed technology that counts

ballcoleman.com

© 2016 Ball Horticultural Company 16623-M  
® denotes a registered trademark of Ball Horticultural Company in the U.S.  
It may also be registered in other countries. Visit ballcoleman.com for current  
Terms & Conditions of Sale.